

Government of West Bengal  
Public Works Department  
Common Service Branch  
Khadya Bhawan, Kolkata-700087

No. 277-C.S/e736076

Date: 26.05.2023

ORDER


**Sub: Allotment of Office Space in favour of the Executive Engineer, National Highway Planning & Design Division-IV, Public Works (Roads) Directorate**

The undersigned is directed to state that, the following shifting arrangement is hereby accorded for administrative convenience and better utilisation of office space.

Sl. No.	Department/ Office	Present location	Proposed Location
1.	Executive Engineer, National Planning & Design Division-IV, Public Works (Roads) Directorate	National Highway Complex, 2nd Floor, Near Balason Bridge, Matigara, Siliguri, Darjeeling-734010	Khadya Bhawan, Central Block, 8th Floor, Kolkata-700087 (Floor Space: 1194 Sq.ft.)

2. Executive Engineer, Kolkata East Division, P.W.Dte. and Executive Engineer, Kolkata Central Electrical Division, P.W.Dte. shall respectively look after the civil and electrical works.
3. All concerned are informed accordingly.

Encl: Detailed Floor Plan


  
Joint Secretary to the Govt. of West Bengal  
Public Works Department

Date: 26.05.2023

No. 277/1(2)-C.S.

Copy forwarded for kind information and necessary action to the:

1. Executive Engineer, Kolkata East Division, P.W.Dte.
2. Executive Engineer, Kolkata Central Electrical Division, P.W.Dte.

  
Deputy Secretary to the Govt. of West Bengal  
Public Works Department


Date: 26.05.2023

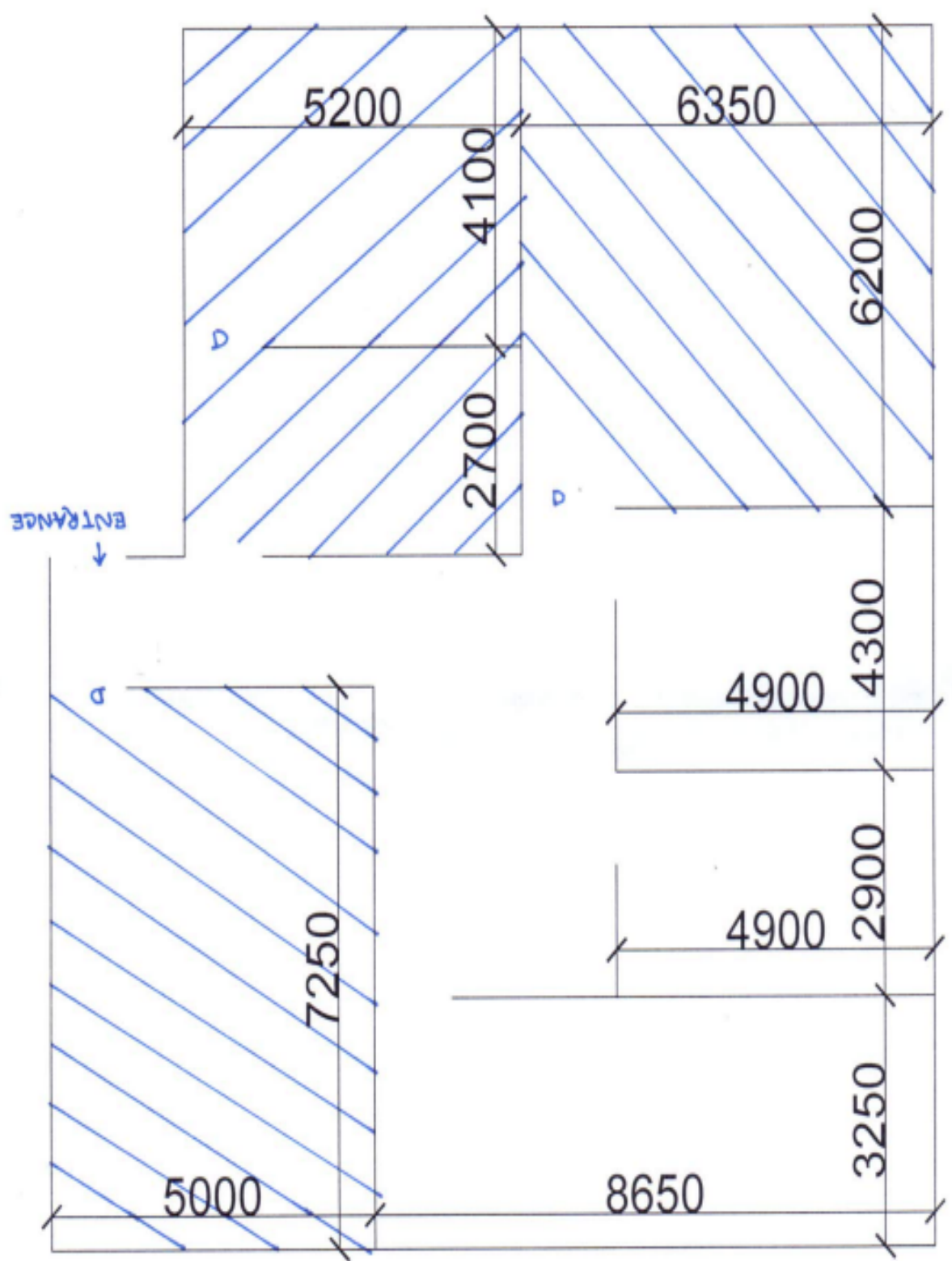
No. 277/2(12)-C.S.

Copy forwarded for kind information to the:

1. P.S. to HMIC, P.W.Department.
2. Sr. P.S. to Secretary, P.W.Department.
3. P.A. to Engineer-in-Chief, P.W.Department.
- 4-8. CE, Head Quarter, P.W.Dte./ CE, Head Quarter, P.W.(R) Dte./ CE, National Highway Wing, P.W.(R)Dte./ CE, South Zone, P.W.Dte./ CE (Works) Electrical, P.W.Dte. .
- 9-11. SE, Bidhannagar Circle, P.W.Dte./ SE, Kolkata Electrical Circle, P.W.Dte./ SE, National Planning & Design Circle, P.W.Dte. .
12. EE, National Planning & Design Division-IV, Public Works (Roads) Directorate



  
Deputy Secretary to the Govt. of West Bengal  
Public Works Department



NOTES:-

ALL DIMENTION ARE IN MM.

Available space

**PROPOSED SPACE FOR  
ACCOMODATION OF NHP & DD-IV AT  
8th FLOOR, CENTRAL BLOCK,  
PWD BUILDING**

Junior Engineer-I, P.W.D.  
Kolkata East Sub-Division-I,

Assistant Engineer, P.W.D.  
Kolkata East Sub-Division-I  
Govt. of West Bengal